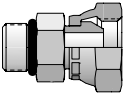
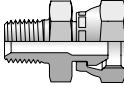
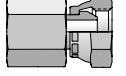
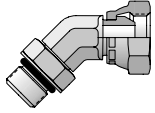
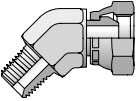
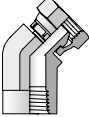
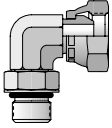
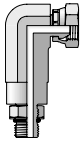
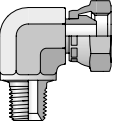
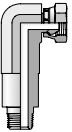
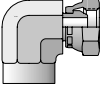
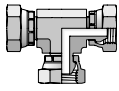
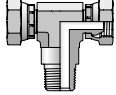
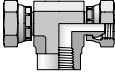


<p>Straights</p>	<p>0507 SAE-ORB / NPSM Swivel</p>  <p>H6</p>	<p>0107 NPTF / NPSM Swivel</p>  <p>H6</p>	<p>0207 NPTF / NPSM Swivel</p>  <p>H6</p>	<p>45° Elbows</p>	<p>3507 SAE-ORB / NPSM Swivel</p>  <p>H6</p>
<p>3107 NPTF / NPSM Swivel</p>  <p>H7</p>	<p>3207 NPTF / NPSM Swivel</p>  <p>H7</p>	<p>90° Elbows</p>	<p>2507 SAE-ORB / NPSM Swivel</p>  <p>H7</p>	<p>5507 SAE-ORB / NPSM Swivel</p>  <p>H7</p>	<p>2107 NPTF / NPSM Swivel</p>  <p>H8</p>
<p>5607 NPTF / NPSM Swivel Long Drop</p>  <p>H8</p>	<p>2207 NPTF / NPSM Swivel</p>  <p>H8</p>	<p>Tees</p>	<p>077T NPSM Swivel / NPSM Swivel / NPSM Swivel</p>  <p>H8</p>	<p>217T NPSM Swivel / NPSM Swivel / NPTF</p>  <p>H9</p>	<p>227T NPSM Swivel / NPSM Swivel / NPTF</p>  <p>H9</p>